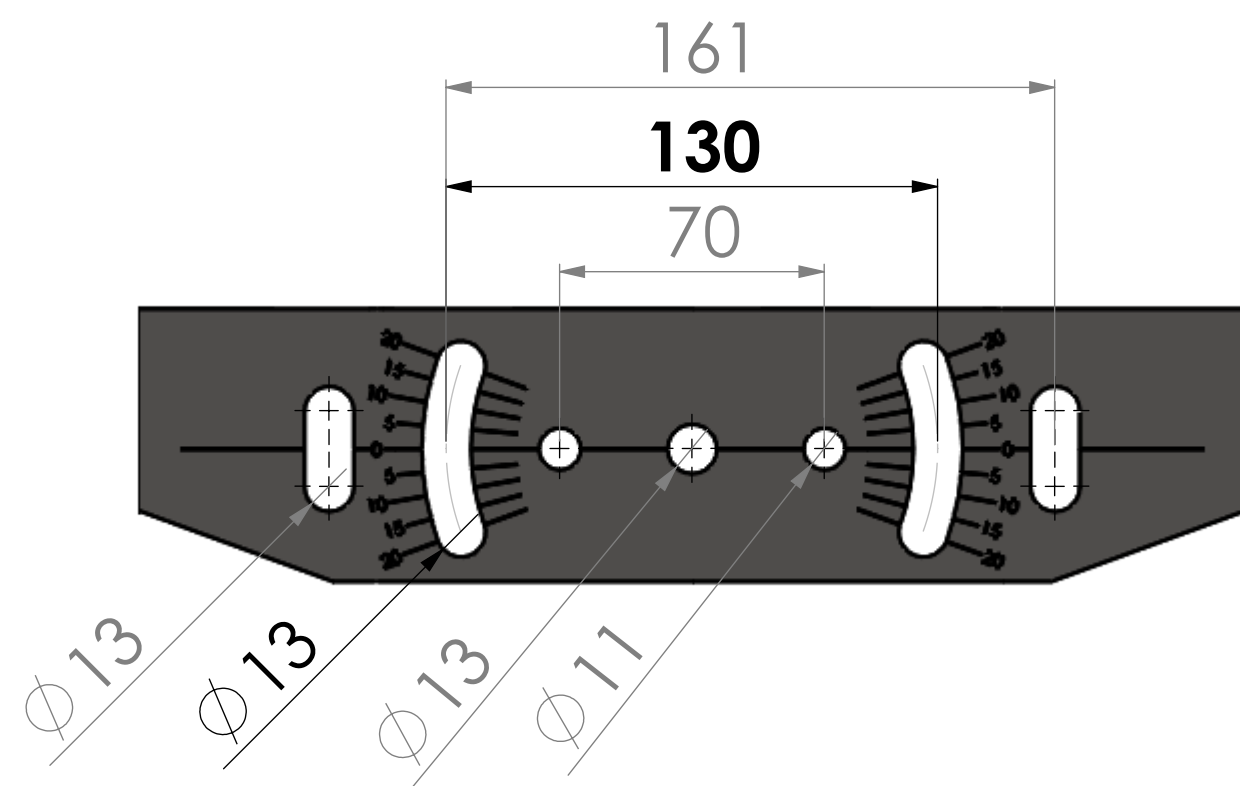
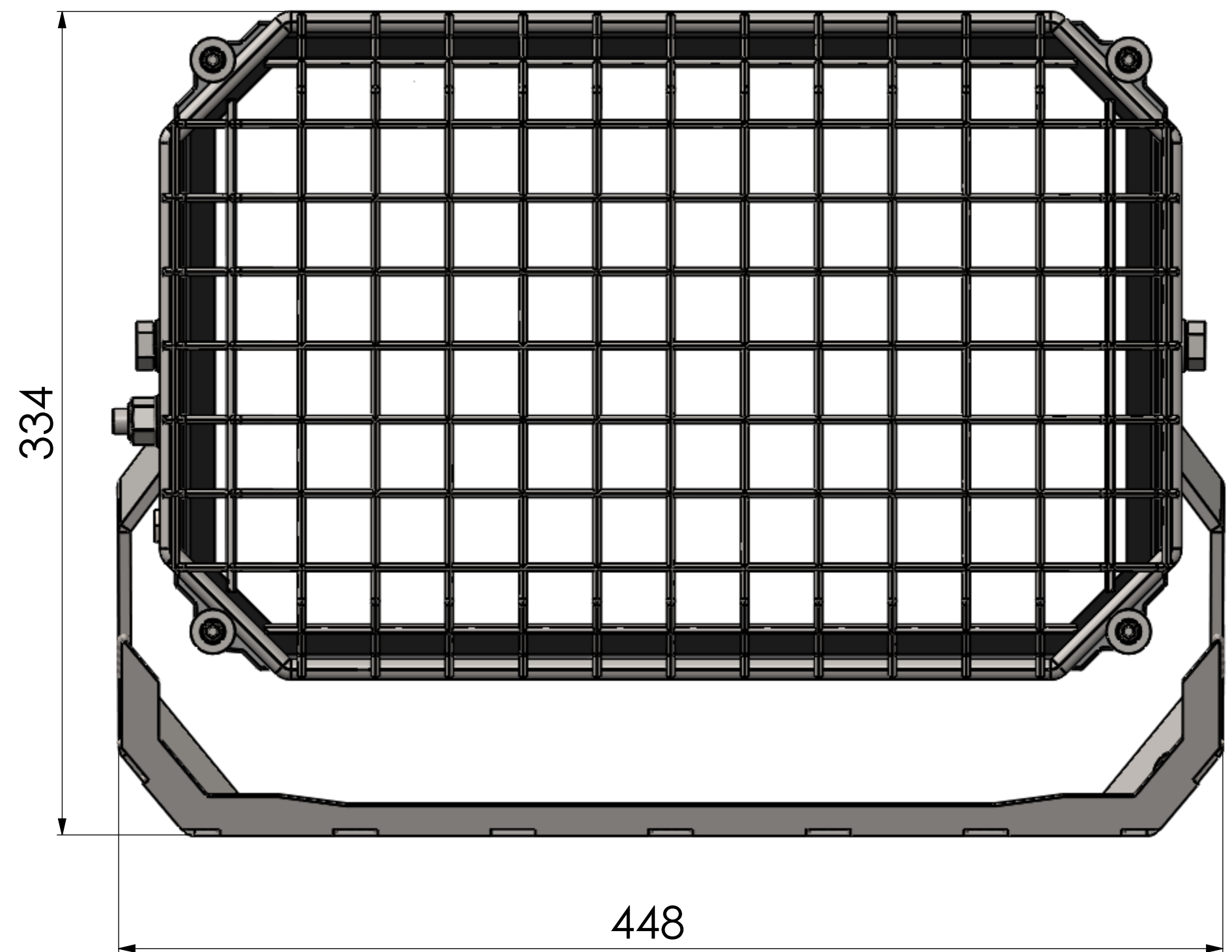


A (2:1)



UNLESS OTHERWISE SPECIFIED: DIMENSIONS ARE IN MILLIMETERS				FINISH:		DEBUR AND BREAK SHARP EDGES		DO NOT SCALE DRAWING		REVISION	
										6	
										Luminell AS	
										TITLE:	
										RLX E General Drawing	
DRAWN: CLV				SIGNATURE:		DATE: 02.08.13				DWG NO.:	
CHKD:										RLX E General Drawing rev 6	
										A2	
										SCALE:1:2	
										SHEET 1 OF 1	