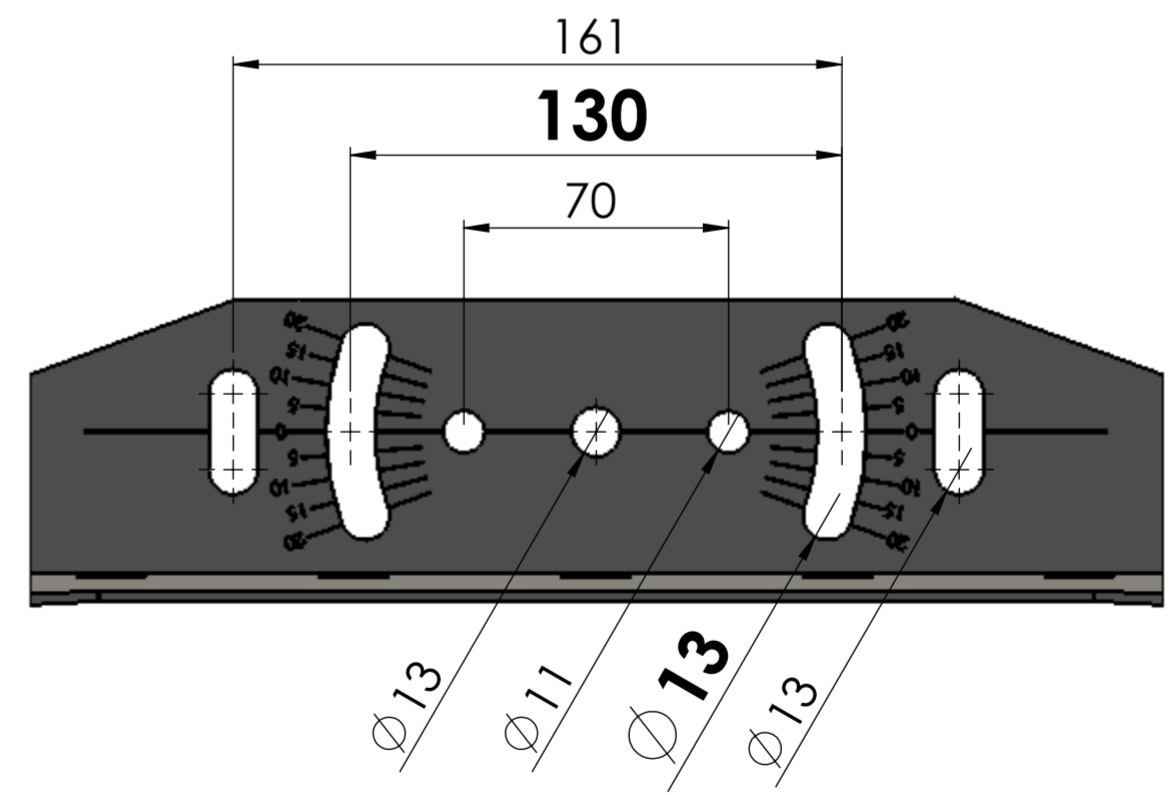


A (2:1)



UNLESS OTHERWISE SPECIFIED: DIMENSIONS ARE IN MILLIMETERS SURFACE FINISH: TOLERANCES: LINEAR: ANGULAR:				FINISH:		DEBUR AND BREAK SHARP EDGES		DO NOT SCALE DRAWING		REVISION		6			
DRAWN CLV				SIGNATURE		DATE 02.08.13		TITLE: Luminell AS RLX D General Drawing				DWG NO. RLX D General Drawing rev 6		A2	
CHKD												SCALE:1:2		SHEET 1 OF 1	
				MATERIAL:		WEIGHT:									