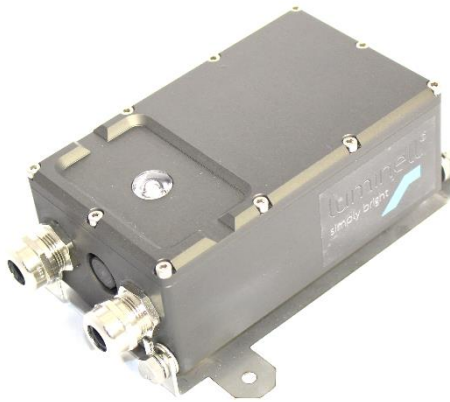


# EML Series - Emergency LED Light

Water & weather proof LED based light with battery backup function

## Specification

Input voltage range:	90-260 Vac (~10W)
Intensity	AC supply: ~ 1000 lm, Battery supply: ~ 400lm to ~ 1000 lm, depending on set backup time
Battery type:	25V 600mAh Ni-Mh (Total Energy content 15Wh)
Battery lifetime:	5 years (from production data)
Battery shelf time:	1 year (storage time without charge – <i>provided 100% full when stored</i> )
Temperature range:	Storage: -30°C to 70°C; Active: -20°C to 55°C
Cable entry:	2x M20*1.5 cable glands. Internal cable-bay for daisy chain supply
Wire numbering:	#1: L1 – Light ON/OFF. #2: L2 – Constant Charge Power. #3: Neutral Ground Connections in Junction box using a M4 bolt
Materials:	Dark Gray Anodized aluminium
Weight:	2,5 kg
Dimensions:	199 x 100 x 76mm (see General product drawing)
Ingress protection:	IP67
Standards:	MIL-461F (Radiated and Conducted Emissions)



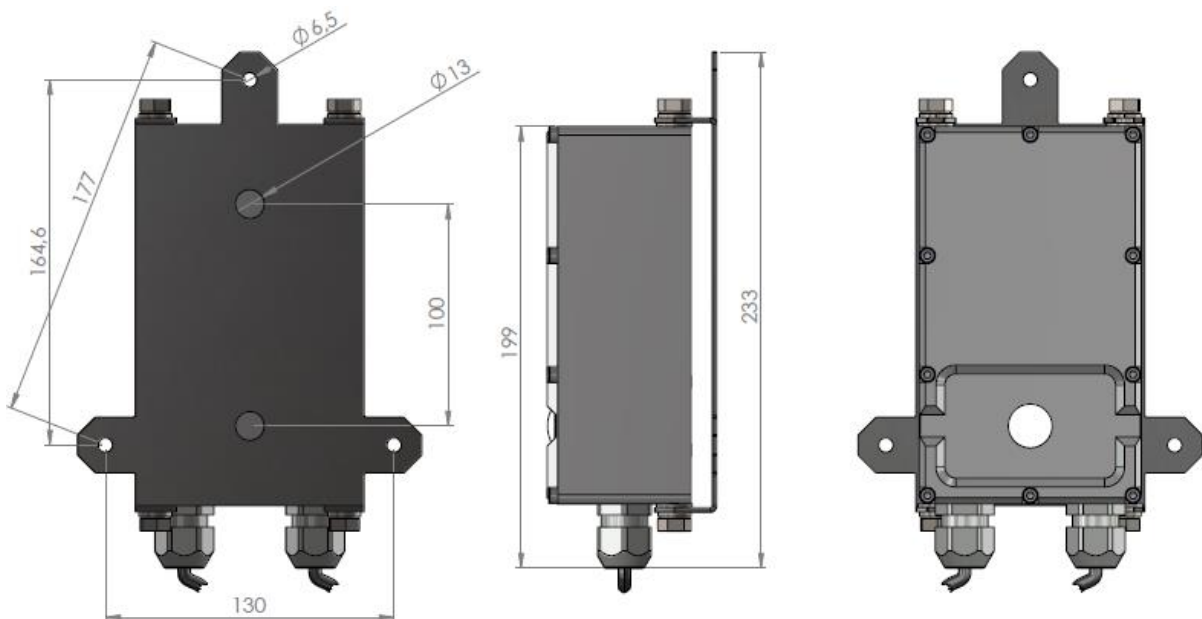
## Ordering Information

Product Description	Backup time (hours)	Beam Angle	Product Nr.
EML Emergency LED light	3	Wide	L0278-1
	1,5	Wide	L0278-2
	1,5	Medium	L0278-3
EML 22,5 deg tilt forward Bracket Acc.	-	-	L0268
EML Battery pack (25V 600mA Ni-Mh)	-	-	L0282

## Battery Backup Function

- Enable battery function: Battery back-up function is enabled first time the unit is connected to Vac power (N and L2) for more than 30 seconds.
- Disable battery function: When the battery backup is running, the light can be turned OFF by placing a powerful magnet at “magnet point” on side of unit.
- Charge function: Internal charger will charge battery to 75% after 10 hours with Vac power connection. Trickle charge function will take over hereafter. (1 minute reduced charge each 30 minute).
- Battery protection: Internal cut-off function will protect battery from deep-discharge damages.

## Mounting



## Battery Exchange

Remove the front. Disconnect two cable connections. Unscrew the two bolts holding the battery back in place. Replace battery.



## Tilt forward Accessory

This accessory will add a forward tilt of 22,5 deg. Product nr. L0268

