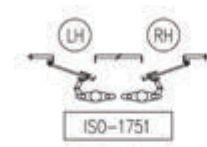


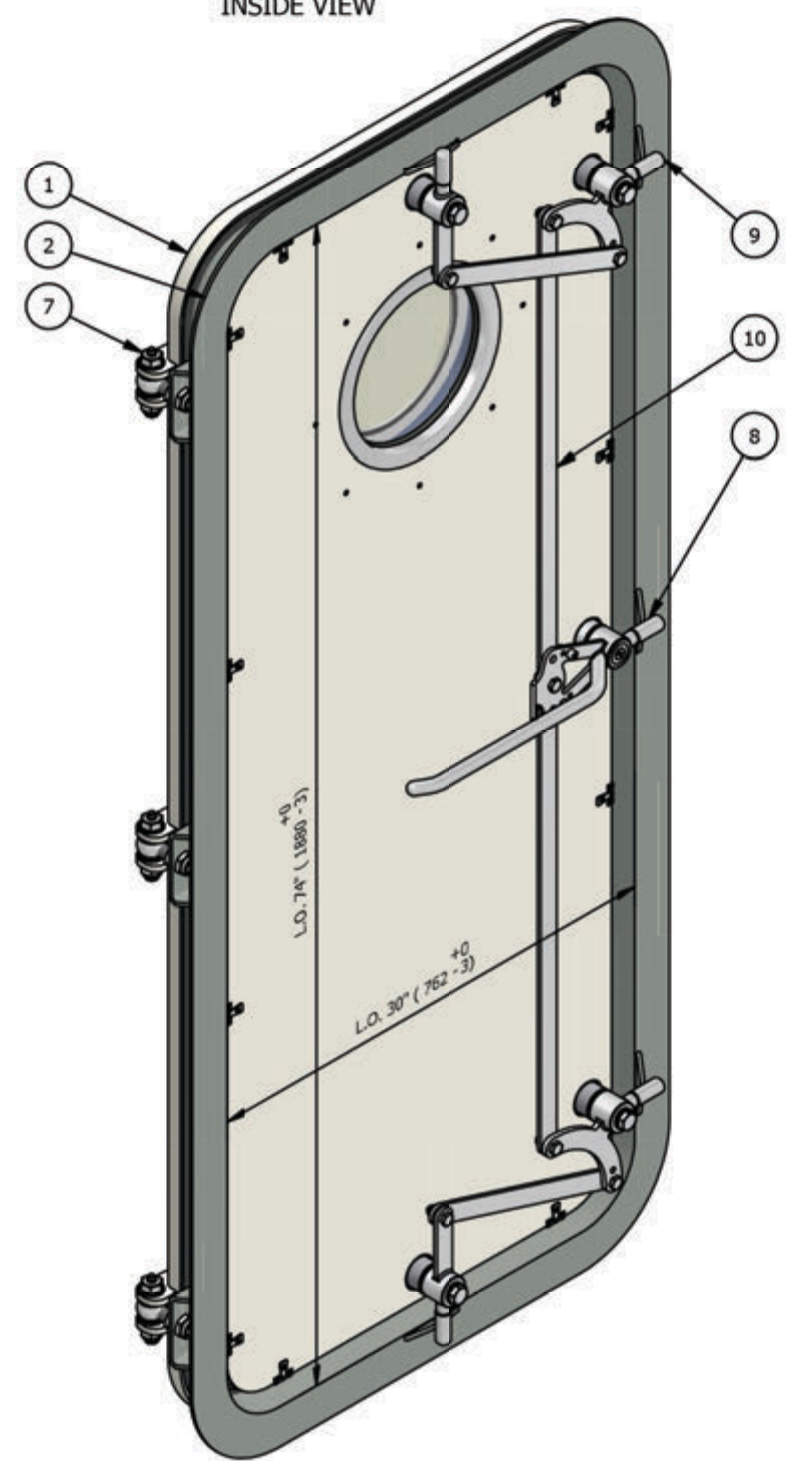
Note 1: - Drawing always displays hinges on right hand side.
 - Red arrow indicates configuration displayed in drawing.

Note 2: - Weight is approximate for complete door.
 - Standard surface treatment: Sandblasted & primed.

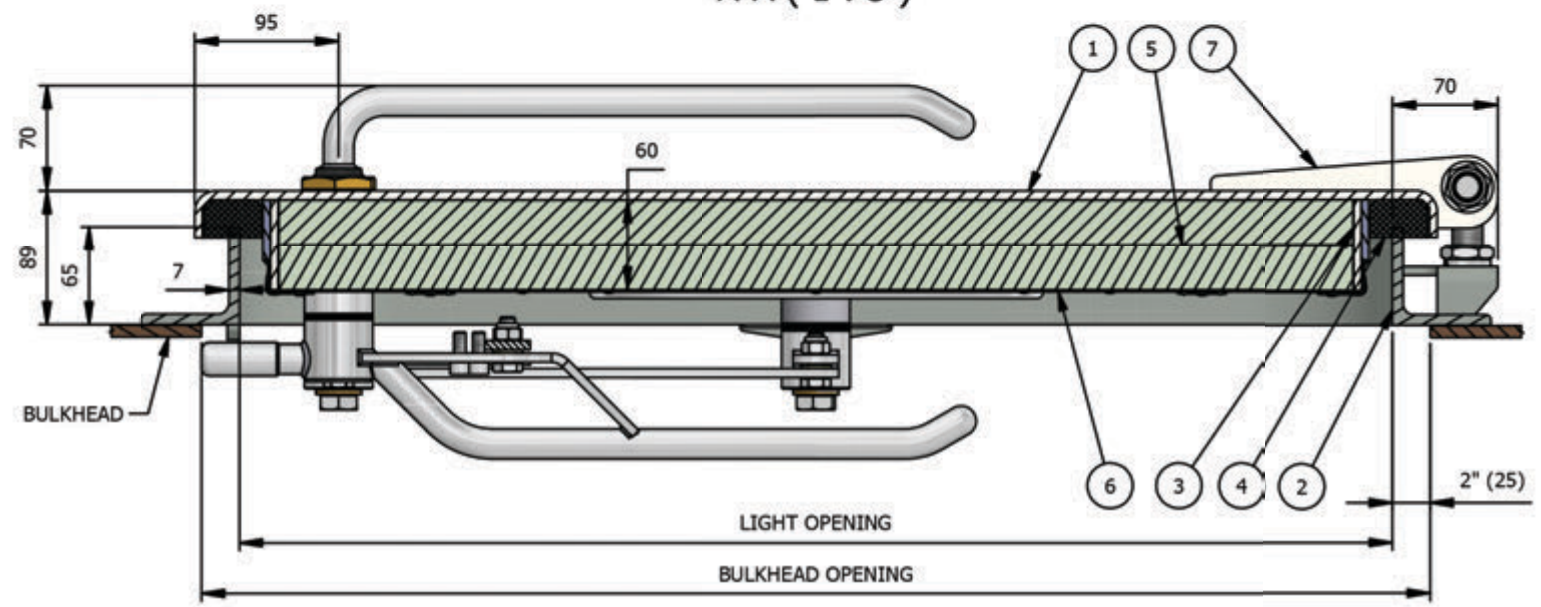


V1 (1 : 10)
INSIDE VIEW

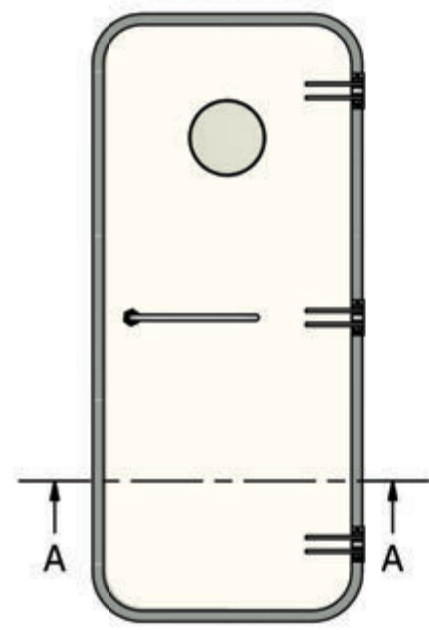
V2 (1 : 10)
OUTSIDE VIEW



A-A (1 : 5)



V3 (1 : 25)



PARTS LIST

ITEM	QTY	PART NAME	DESCRIPTION
1	1	Door Leaf	S235JR - 6 mm
2	1	Coaming	S235JR - 65x65x7 mm
3	1	Gasket Rim	S235JR - 60x5 mm
4	1	Door Gasket	EPDM - 40x20 mm
5	1	Fire Insulation	60 mm
6	1	Insulation Cover	AISI 304 - 1,25 mm
7	3	Hinge	AISI 316 L
8	1	Main Handle	AISI 316 L & Brass
9	4	Slave Toggle	AISI 316 L & Steel Boss
10	3	Linkage Rod	AISI 316 L - 30x6 mm

REVISION HISTORY

REV	DESCRIPTION	DATE	APPROVED
A	Released	17.04.2013	aa

**LIBRA WEATHERTIGHT STEEL DOORS
TYPE WR100-A60 w. QUICK ACTING**

Date 2013.04.17.	Checked by	Scale True scaling in A3 format	Customer...
Designed by aa	Approved by	Date	

Libra™ LIBRA-PLAST AS
 N-6060 HAREID, Norway
 Tel.: +47 70 09 54 00
 Fax: +47 70 09 54 01
 E-Mail: office@libra.no

Issue A	Drawing no. D-3-L-00401	Sheet 1 / 2
------------	----------------------------	----------------